



# JXC8 Series

Modular contactor



[www.jinxu.cc](http://www.jinxu.cc)

# JXC8 Series Modular contactor

## Application

JXCT series AC contactor (hereinafter referred to as the household appliances control a contactor) is used for remote switch on and off without a sense of feeling or low load, resistance furnace, household appliances and similar low load, motor and other household.

The main contactor is used in AC 50Hz/60Hz, rated voltage to 400V, rated current of power system to 100A, AC-1, AC-7a (in no sense or sense of low load, resistance furnace, household appliances and similar low load) categories, long distance switch and control circuit. Contactor is not used for breaking short circuit current, so it is necessary to choose suitable short circuit protection electrical equipment.

## Main Technical Parameter

Power circuit		
Voltage	1P,2P	250V AC
rating(Ue)	3P,4P	400V AC
Frequency		50/60Hz
Endurance(O-C)		
Electrical		100,000 cycles
Maximum number of switching operation a day		100
Additional characteristics		
Insulation voltage (Ui)		500V AC
Pollution degree		2
Rated impulse withstand voltage(Uimp)		2.5kV(4kV for 12/24/48V AC)
Degree of protection	Device only	IP20
(IEC 60529)	Device in modular enclosure	IP40
Operating temperature		-5°Cto+60°C
Storage temperature		-40°Cto+70°C
Tropicalization(IEC 60068-1)		Treatment 2(relative humidity 95% at 55°C
ELSV compliance(Extra Low Safety Voltage)for 12/24/48vac versions		
The product control conforms to the SELV(safety extra low voltage )requirements		



Type	Rating	Lenght Tightening	Circuit	tripping torque	Copper cables	
					Rigid	Flexible or ferrule
JXC8	PZ1:4 mm	16-100A	Control	0.8N.m	1.5to 2.5mm: 2 × 1.5mm <sup>2</sup>	1.5to 2.5mm: 2 × 2.5mm <sup>2</sup>
		16 and 25A			1.5to 6mm <sup>2</sup>	1 to 4mm <sup>2</sup>
	PZ2:6 mm	40A-63A 100A	14mm	Power	3.5N.m	6 to 25 mm <sup>2</sup> 6 to 35mm <sup>2</sup>
O+F	PZ1:4mm	-	-	0.8N.m	1.5to 2.5mm: 2×1.5mm <sup>2</sup>	1.5to 2.5mm: 2×2.5mm <sup>2</sup>

# JXC8 Series Modular contactor

## Product specifications:



Automatic	Current	AC-7a	16A	20A	25A	40A	63A	100A
		AC-7b	6A	7A	8.5A	15A	20A	—
	Control voltage	24V、110V、230V			24V、110V、230V		24V、110V、230V	
Contact	2NO、2NC、1NC、1NO+1NC						2NO	



Automatic	Current	AC-7a	16A	20A	25A	40A	63A	100A
		AC-7b	6A	7A	8.5A	15A	20A	—
	Control voltage	24V、110V、230V			24V、110V、230V		24V、110V、230V	
Contact	4NO、4NC、3NO、3NC、3NO+1NC、2NO+2NC						4NO	



Automatic	Current	AC-7a	16A	20A	25A	40A	63A
		AC-7b	6A	7A	8.5A	15A	20A
	Control voltage	24V、110V、230V			24V、110V、230V		
Contact	2NO、2NC、1NO、1NC、1NO+1NC						

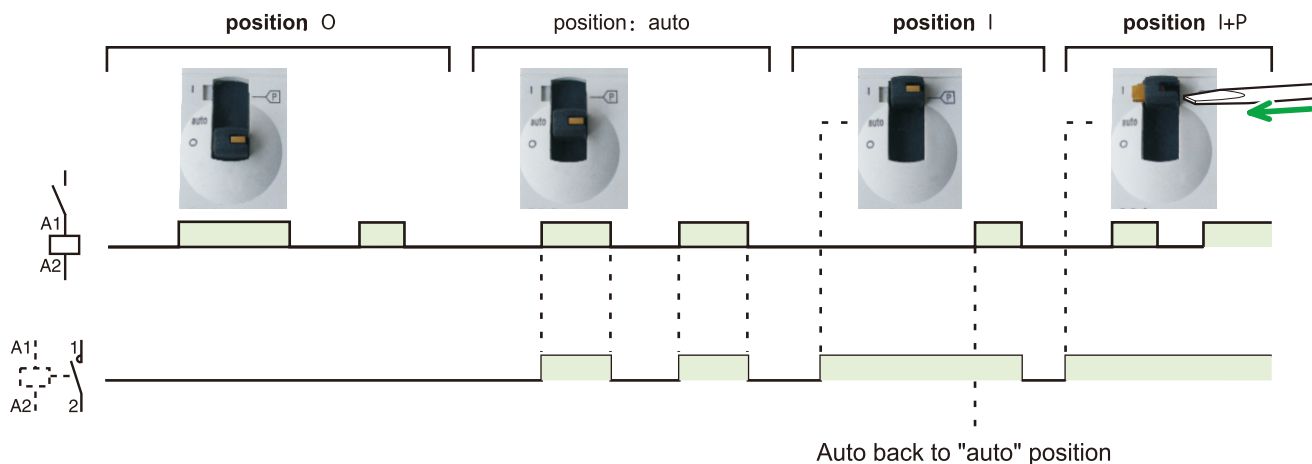


Automatic	Current	AC-7a	16A	20A	25A	40A	63A
		AC-7b	6A	7A	8.5A	15A	20A
	Control voltage	24V、110V、230V			24V、110V、230V		
Contact	4NO、4NC、3NO、3NC、3NO+1NC、2NO+2NC						

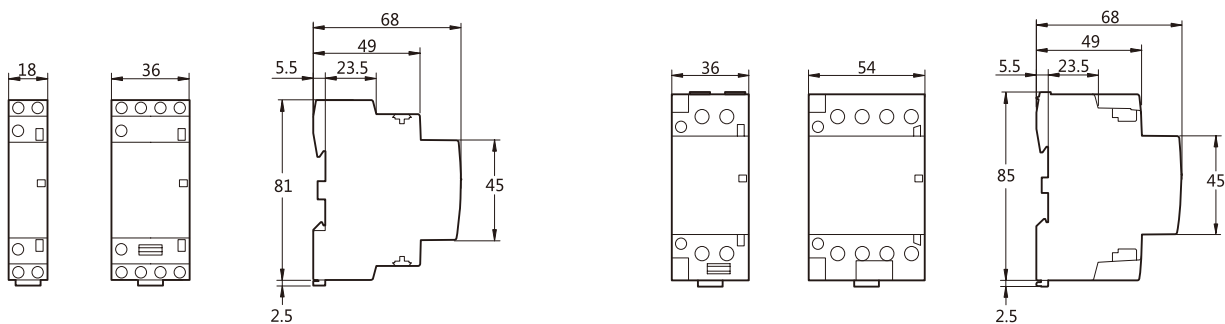


# JXC8 Series Modular contactor

## Operation (manual operation contactor):

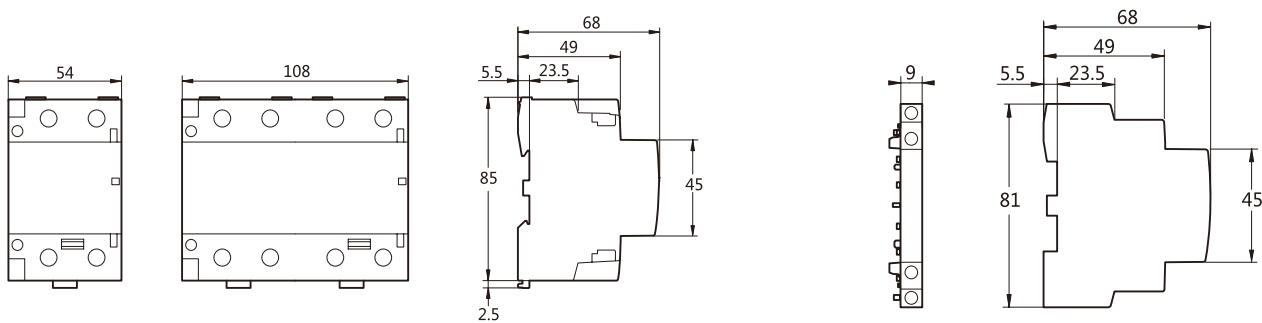


## Dimensions(mm):



JXCT automatic / manual 16-25A 2P 4P

JXCT automatic / manual 40-63A 2P 4P



Automatic style 100A 2P 4P

Auxiliary style O+F